

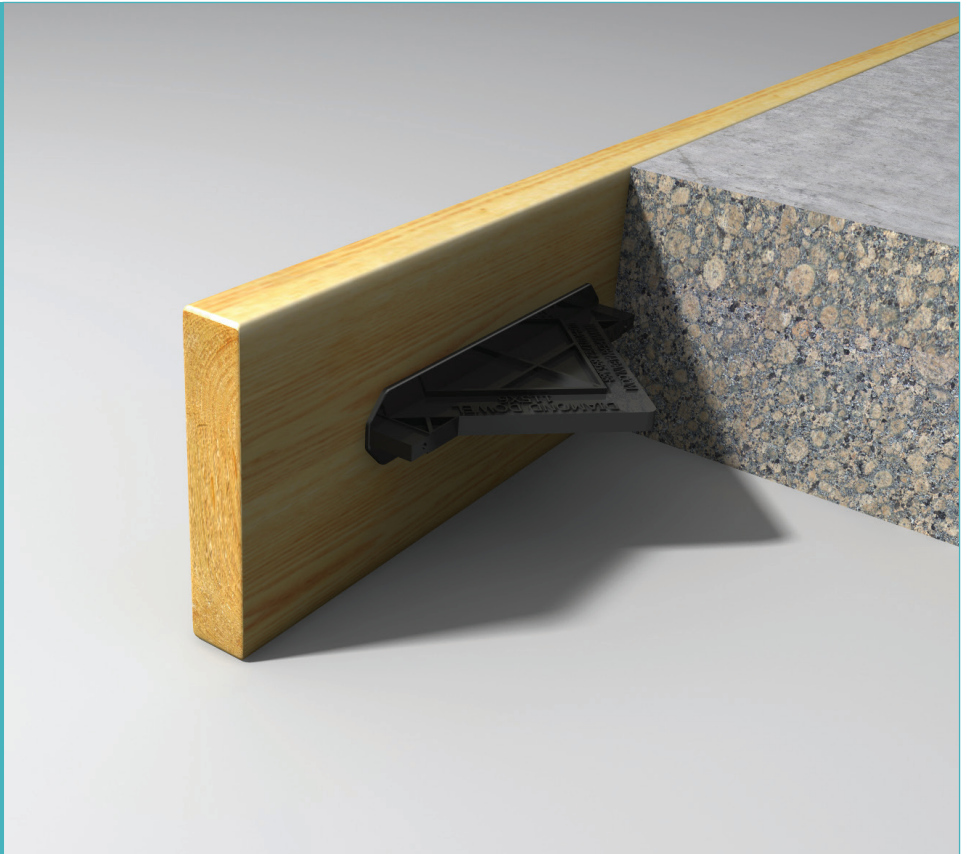
dowel systems

Specification Sheet

Issue 2.5

14/03/2016

dowel systems



dowel systems

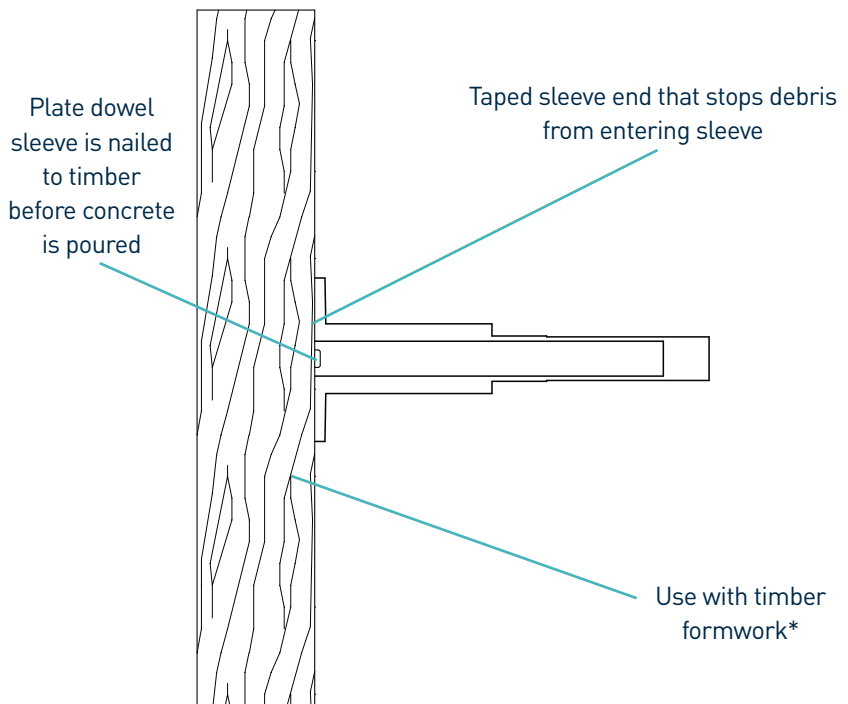


Plate dowel system shown.

*Not supplied

DD is not available in the following territories: Mexico, Canada, USA, Australia and New Zealand.

dowel systems

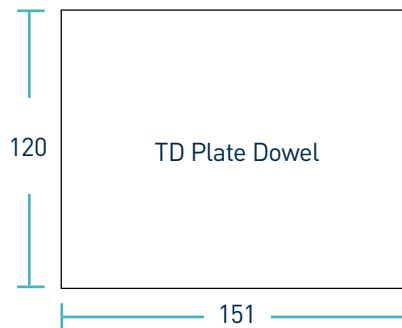
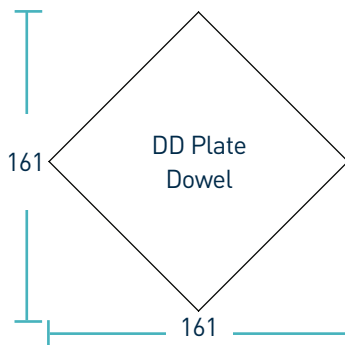
Specification Sheet Issue 2.5
 14/03/2016

manufacturing tolerances

Length ±2.0mm

Thickness ±0.4mm

dimensions of dowel systems



Dimensions in mm

*Available in 10mm

Square Dowel Bar

weight of packaging information

Dowel Type	Single Dowel Weight (kg)	Single Sleeve Weight (kg)
DD6 Plate Dowel	0.6	0.1
DD10 Plate Dowel	1.0	0.2
TD10 Plate Dowel	1.2	0.2
Square Dowel Bar	1.9	0.2

Weight values shown are approximate.

materials

Component	Material
Plate dowel	BS EN 10025-2:2004 S275JRG2 min 410 N/mm ²
Plate dowel sleeve	ABS
Square dowel bar	BS EN 10025-2:2004 S275JR
Square dowel bar sleeve	PP

DD is not available in the following territories: Mexico, Canada, USA, Australia and New Zealand.

dowel systems

Specification Sheet Issue 2.5

14/03/2016

theoretical calculated ultimate loads at failure of dowel or concrete

(10mm joint opening)		Unreinforced Slab	
Slab Depth (mm)	Dowel Type	Bursting	Bearing/Bending
150	DD6	38.9	103.8
	DD10	38.9	212.7
	TD10	31.2	168.9
	Square Bar	31.5	342.1
200	DD6	62.8	103.8
	DD10	62.8	212.7
	TD10	49.9	168.9
	Square Bar	42	342.1
250	DD6	61.7	103.8
	DD10	61.7	212.7
	TD10	72.6	168.9
	Square Bar	52.5	342.1
300	DD6	71.1	103.8
	DD10	71.1	212.7
	TD10	86.9	168.9
	Square Bar	63	342.1
350	DD6	79.4	103.8
	DD10	79.4	212.7
	TD10	84.5	168.9
	Square Bar	73.5	342.1

This table shows the load at failure in bursting (failure of the concrete) and bending (failure of the dowel) for a joint opening of **10mm** - larger joint openings can be accommodated. The ultimate load has been calculated in accordance with TR34 4th Edition. Dowel position taken at mid depth of slab. For more detailed analysis please contact RCR Flooring Products Ltd. *All design calculations should be verified by a suitably qualified structural engineer.

DD is not available in the following territories: Mexico, Canada, USA, Australia and New Zealand.